

Bal de Saint Quay Perros 2024



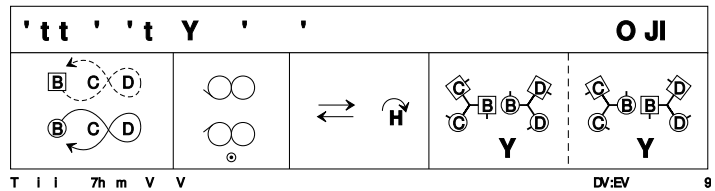
The Scottish Country Dance Group *Scots Bonnet* from Saint Quay Perros (Brittany) is organising its annual ball from *Friday 28 to Sunday 30 June 2024*.

- with the Paris Band,
- and Aliénor LATOUR, RSCDS certified teacher from the Paris Branch,
- Details at <https://www.scots-bonnet.fr/en/ball-2024/ball-programme>
- Registration form at <https://www.scots-bonnet.fr/en/ball-2024/registration-for-the-ball>
- POC : contact@scots-bonnet.fr

1 ECCLEFECHAN FELINE J32 · 3/4L

Bob McMurtry: Le Petit Chat Celtique · Crib: E-cribs · Diagram: Keith Rose's Diagrams

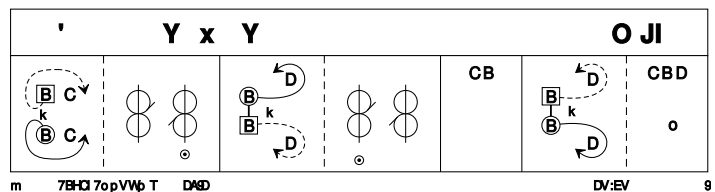
- 1– 1c Fig8 on own side (start in and down ; take NH where possible).
- 9– 1c+2c+3c Mirror Reels3 on own sides (2c start out & up)
- 17– 1c dance down middle {3}, up {3}, and cast off (2c up)
- 25– Teapots R ; and L (1M+3c & 1W+2c RHA, 1c pass Rsh ; 1M+2c & 1W+3c LHA) (2,1,3)



2 THE HIGHLAND LASS R32 · 3/4L

Playford: RSCDS XXX 3 · Crib: E-cribs · Diagram: Keith Rose's Diagrams

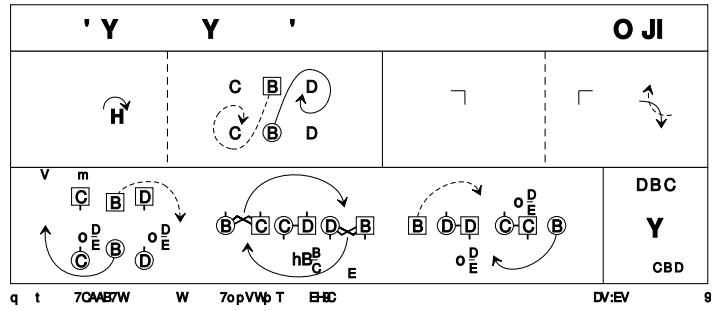
- 1– 1c dance in touching NH & cast off (2c up) ; ½Reels3 across (w up, M down)
- 9– 1c dance between 3c and cast up on opposite sides ; ½Reels3 across (M up, W down)
- 17– 2c+1c R&L
- 25– 1c dance down between 3c and cast up ; 2c+1c+3c turn RH



3 LINNEA'S STRATHSPEY S32 · 3/4L

Tim Wilson: RSCDS XLVII 2 · Crib: E-cribs · Diagram: Keith Rose's Diagrams

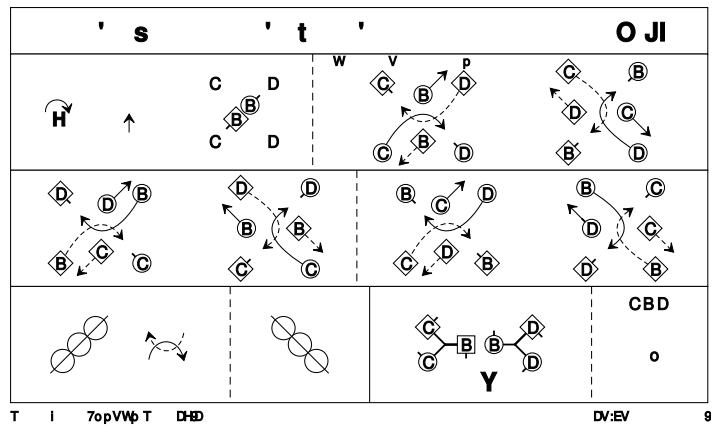
- 1- 1c set | cast off (2c up), cross Lsh and cast R round 1cnr to face 1cnr
- 9- SetH&G , at end pass Rsh to face out in 2pl
- 17- [Chaperoned Chain Progression] 1c cast $\frac{1}{4}$ clw round set **while{2}** 2c & 3c Turn RH $\frac{3}{4}$ | 2M+3W turn $1\frac{1}{2}$ LH **while{4}** the others promenade $\frac{1}{2}$ clw round set | 3c+2c turn RH $\frac{3}{4}$ and face up **while{2}** 1c cast $\frac{1}{4}$ clw to meet in 2pl, for
- 25- 3c+1c+2c Allemande (2,1,3)



4 GOTHENBURG'S WELCOME J32 · 3/4L

Bobby Munro: RSCDS XXXVII 3 · Crib: E-cribs · Diagram: Keith Rose's Diagrams

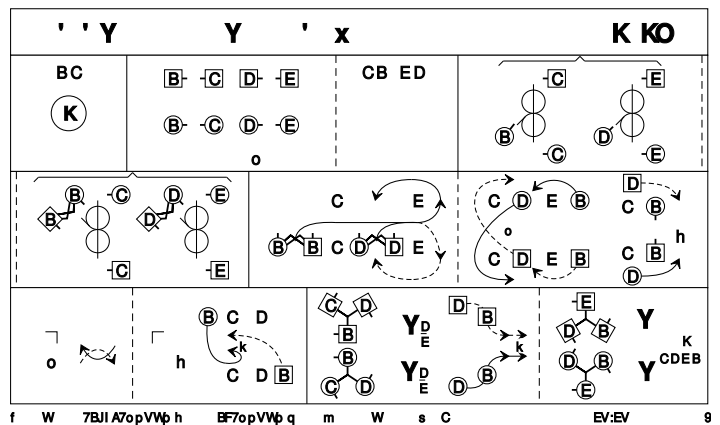
- 1-4 1c cast off one place (2c up) | 1c set advancing to face 1cnrs
- 5-16 Dance to each corner and set ("Free" cnrs set diagonally **while{2}** centre dancers change place Rsh with the facing cnr, who in the centre pass Rsh to face next cnr on R | repeat five times, on alternating diagonals), 1c finish facing 3cnr position)
- 17- 1c $\frac{1}{2}$ Reel4 on 1diag, pass Rsh ; $\frac{1}{2}$ Reel4 on 2diag (2,1,3)
- 25- 2c+1W & 1M+3c RHA ; 2c+1c+3c turn RH.



5 THE EARL OF MANSFIELD R48 · 4/4L

John Drewry: The Leaflet Dances with Music · Crib: E-cribs · Diagram: Keith Rose's Diagrams

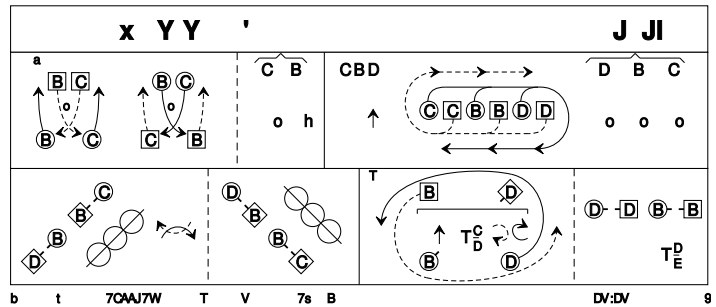
- 1- 1c+2c circle4 and back
- 9- 1c face 2c & 3c face 4c, all set | change places RH ; all set | change back RH (2M+4M face out and up) (1,2,3,4)
- 17- 1M+2c & 3M+4c Lsh Reels3 across, the M taking P in promhold on [20] ; 1c+3c finish on M side in promhold facing in and down
- 25- 3c with 1c following dance between 4c, divide & cast up ; 3c cross up between 2c and cast to 3pl (2c up) **while{4}** 1c dance on up and turn LH to face 1cnr
- 33- 1c turn 1cnrs RH, pass Rsh (cnrs dance 4 bars) ; 1c turn 2cnrs LH, to 2pl facing up NHJ (2,1,3,4)
- 41- 1M+2M+3M LHA **while{4}** 1W+2W+3W RHA ; 1c breaks to dance down NHJ and 3c follows into ; 1M+3M+4M RHA **while{4}** 1W+3W+4W LHA (to 2,3,4,1)



6 MISS NIDRA AITKEN S32 · 3/3L

Francis Walduck: *The Dancing Brolga Collection of Scottish Country Dances - Volume 1 · Crib: E-cribs · Diagram: Keith Rose's Diagrams*

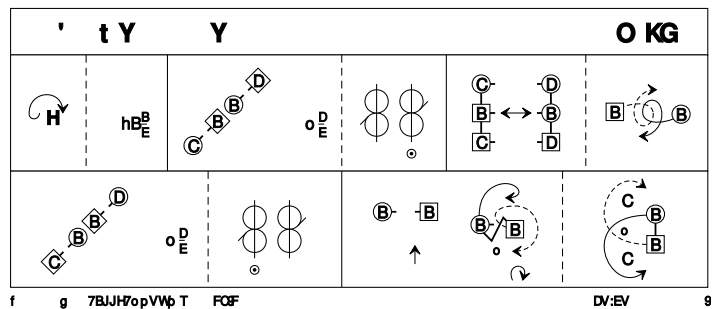
- 1- 1c+2c The Espagnole (2,1,3)
- 9- All NHJ set advancing into midline, RSh to P | all M (3M leading) & all W (2W leading) chase clw to own sides (to 3,1,2) | 3c & 2c cross RH **while(2)** 1c turn P RH to face 3cnrs[pos]
- 17- ½ Reel4 on 1diag, pass P RSh to face 4cnrs[pos] ; ½ Reel4 on 2diag (2,1,3)
- 25- 1c+3c The Bourrel (2,3,1)



7 THE SCALLYWAG J40 · 3/4L

Jennifer Kelly: *RSCDS LII 5 · Crib: E-cribs · Diagram: Keith Rose's Diagrams*

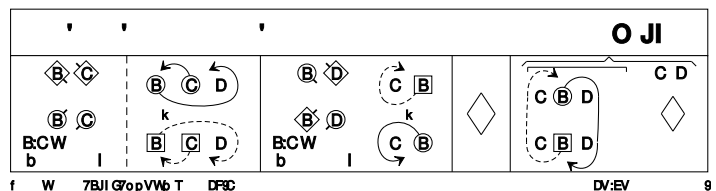
- 1- 1c long cast (2c up) ; turn LH to face 1cnr
- 9- 1c set to 1cnr | Turn 1cnr RH ¾ into lines across and face 4cnr ; ½ Lsh Reel3 across into facing lines across
- 17- Lines A&R ; 1c dance Rsh round P to face 3cnr (pos)
- 25- repeat [9-16] with these corners, finishing 1M between 2c facing 1W between 3c
- 33- 1c set adv and join RH | set RHJ, 1W turning under the arms and 1c face up RHJ still on opp. side ; 1c cross up and cast to 2pl (2,1,3)



8 INVERNEILL HOUSE R32 · 3/4L

John Drewry: *RSCDS XXXV 2 · Crib: E-cribs · Diagram: Keith Rose's Diagrams*

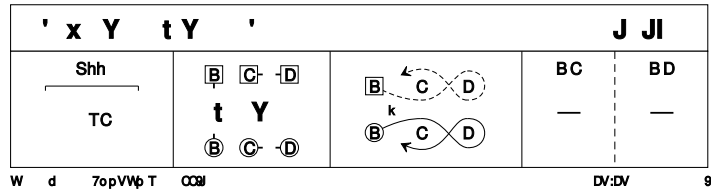
- 1- 1c+2c ½ DbIFig8 (to start, 1c cross down and 2c dance up, 2c finish facing out) ; 1c dance down NHJ between 3c and cast up to 2plx **while(4)** 2c cast up and stand (2x,1x,3)
- 9- 1c+3c ½ DbIFig8 (1c cross down and 3c dance up) ; 1c dance up NHJ between 2c and cast off to 2pl own side (2x,1,3x)
- 17- 1c Petronella {8} (to 2x,1x,3x)
- 25- 2c+3c Petronella {8} **while** 1c casts Rsh back | cross (M / W between 3c /2c) ; cast to 2pl | set with 2c+3c (2,1,3)



9 NEIDPATH CASTLE S32 · 3/3L

Derek Haynes: RSCDS XXII 9 · Crib: E-cribs · Diagram: Keith Rose's Diagrams

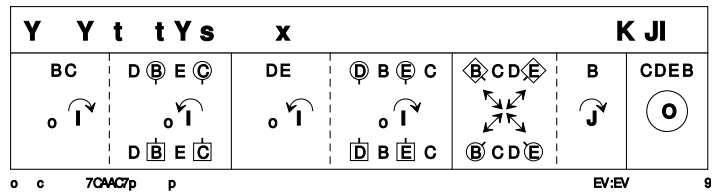
- 1- All set | all turn BH twice | all set
- 9- G-Chain (1c cross to start)
- 17- 1c Fig8 on own side round 2c+3c, starting inwards. On [24] 1c+2c dance in for
- 25- 1c+2c ½ Poussette, on [28] 1c continue slow turn and 3c dance in ; 1c+3c ½ Poussette (2,3,1)



10 ANTARCTICA BOUND J32 · 4/4L

Roy Goldring: The Scotia Suite of Scottish Country Dances · Crib: E-cribs · Diagram: Keith Rose's Diagrams

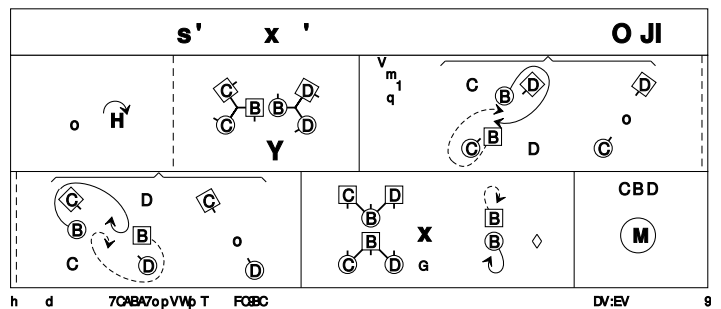
- 1- 1c+2c cross RH and cast off two (2c leads) ; 1c cross below 3c as 2c cross below 4c | 1c+2c cast up to places (1,2,3,4)
- 9- 3c+4c repeat upwards (1,2,3,4)
- 17- 1c+4c A&R on diagonal ; 1c cast to bottom (others step up) (2,3,4,1)
- 25- Circle8 and back



11 TRIP TO TIMBER RIDGE R32 · 3/4L

Linda Henderson: RSCDS LII 12 · Crib: E-cribs · Diagram: Keith Rose's Diagrams

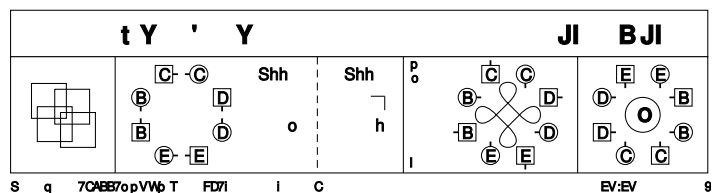
- 1- 1c turn RH | cast (2c up) ; 1W+2c & 1M+3c RHA, 1c facing 1cnrs at end
- 9- Corners Pass and Turn, on [16] 1c pull Rsh back to finish BtoB in centre facing opposite side
- 17- DTr, on [23-24] 1c Petronella turn to 2pl (2,1,3)
- 25- Circle6 and back



12 PORTINCAPLE OAK M64 · 4S

Anne Thorn: The Magic of Music - Book 2 · Crib: E-cribs · Diagram: Keith Rose's Diagrams

- 1- 1c+3c & 2c+4c L-Chain (W make RHA in the middle)
- 9- All set to and turn P RH ; set to and turn cnr LH, finish in own places, W facing out
- 17- Half Schiehallion Reel (3,4,1,2)
- 25- Circle8 and back



Repeat once only in Reel time.

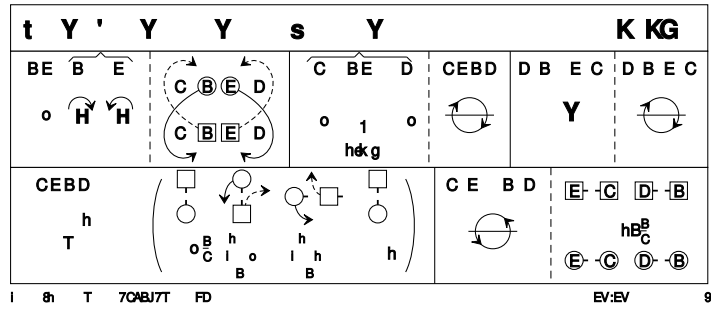
----- DINNER -----

13 CHASE HALFWAY IN BRITTANY

J40 · 4/4L

Marie-Laure Barret · Crib: E-cribs · Diagram: Keith Rose's Diagrams

- 1- 1c & 4c cross RH | cast inwards (2c & 3c step out) ; ½ Fig8 round nearest ends (2,1,4,3)
- 9- 1c+4c S&Link and face clw **while{4}** 2c & 3c turn P RH ; all chase clw ½ (3x,1x,4x,2x)
- 17- 3c+1c & 4c+2c RHA ; all chase clw ½ (2,4,1,3)
- 25- All NHJ set | all La Baratte (2x,4x,1x,3x)
- 33- 2c+4c & 1c+3c chase cclw ½. Middles face ends on sides ; all turn LH 1 ½ on sides (2,4,1,3)

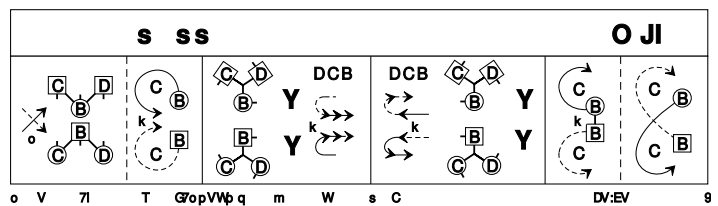


14 SHIFTIN' BOBBINS

R32 · 3/4L

Roy Clowes: Thirty Popular Dances, Volume Two · Crib: E-cribs · Diagram: Keith Rose's Diagrams

- 1- 1c cross down RH (2c up) to 2plx in DTr position with corners | set as DTr ; cast up, meet and dance down to 2pl in middle
- 9- 2M+1W+3M RHA, **while{4}** 2W+1M+3W LHA ; 1c followed by 2c+3c dance down the middle
- 17- 3c+2c+1c dance up the middle, 3c casting to 3pl, flowing into ; 1W+2M+3M LHA, **while{4}** 1M+2W+3W RHA
- 25- 1c dance to top, cast off one ; ½ Fig8 up round 2c.

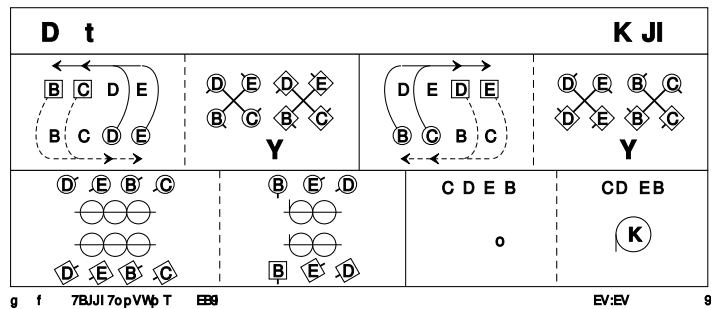


15 S-LOCOMOTION

S32 · 4/4L

Ken Jones: RSCDS XLI 8 · Crib: E-cribs · Diagram: Keith Rose's Diagrams

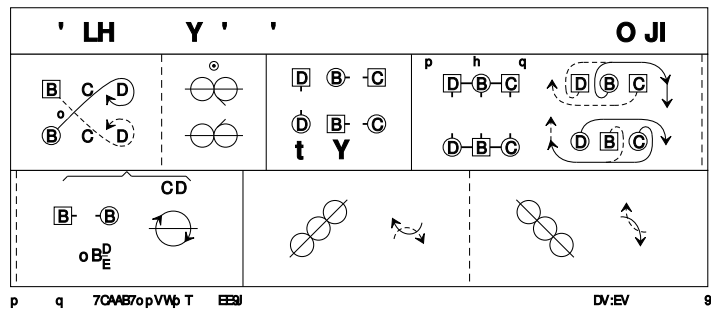
- 1- 1W+2W & 3M+4M cross Lsh past P | cast two L (M and W swap places) ; all M (top) and W (bottom) LHA
- 9- 1M+2M & 3W+4W cross Rsh to person opposite | cast two R ; 3c+4c (top) & 1c+2c (bottom) RHA (to 3x,4x,1x,2x)
- 17- ½Reels4 on the sides ; 2c waits in 1plx **while{4}** the others continue in ½Reel3 (to 2x,3x,4x,1x)
- 25- All Set, cross RH, 2c+3c & 4c+1c circle4 left



16 THE 51ST TRAVELLERS J32 · 3/4L

Sandra Turton: RSCDS XLIV 9 · Crib: E-cribs · Diagram: Keith Rose's Diagrams

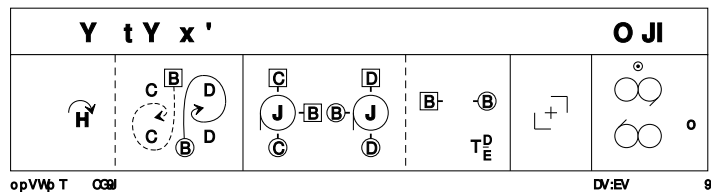
- 1- 1c cross down RH behind 3c (2c up) and dance up to 2plx ; Mirror ½ Reels3 on the sides (1c out and up) (to 3,1x,2)
- 9- G-Chain (3c cross to begin)
- 17- S&Link3 ; 1c turn RH 1¾ to face 1cnr pos. **while**{4} 3c+2c chase ½ clw
- 25- 1c+1cnrs diag. ½Reel4 (1c pass Rsh) ; ½Reel4 with 2cnrs (pass Rsh to 2,1,3)



17 SUGAR CANDIE S32 · 3/4L

RSCDS XXVI 9 · Crib: E-cribs · Diagram: Keith Rose's Diagrams

- 1- 1c set | cast off (2c up), pass Lsh and cast R round 1cnr, to finish BtoB in the centre, M facing down, W up
- 9- 1W+2c & 1M+3c circle3, at end 1c swivels R to face P ; 1c set, turn ¾ BH to face 1cnrs (open out with 1M using RH to assist P)
- 17- Turn CPCP
- 25- Reels3{6} with corners, Lsh to 1cnr, 1c cross RH to (2,1,3)



18 THE REEL OF THE 51ST DIVISION R32 · 3/4L

James Edward McCartney Atkinson: RSCDS XIII 10 · Crib: E-cribs · Diagram: Keith Rose's Diagrams

- 1- 1c set | cast off two places (2c up) and lead up to 1cnrs
- 9- 1c set to 1cnr | turn 1cnr RH and join LH in the middle ; BiL | turn 1¼ LH to 2cnrs
- 17- Repeat with 2cnrs | cross to (2,1,3)
- 25- 2c+1c+3c circle6 and back.

